



Construction

Bronze pump casing with suction and delivery connections with the same diameter and on the same axis (in-line).

Stainless steel AISI 316 can.

Brass unions on request.

Materials	NCS3 ...-40, -50	NCS3 ...-70
Pump casing	Bronze	Bronze
Impeller	Composite	Composite
Shaft	Stainless steel	Ceramic
Bearings	Graphite	Ceramic

Applications

Circulation of sanitary hot water.

Operating conditions

Liquid temperature from +5 °C to +65 °C.

Ambient temperature up to 40 °C.

Sound pressure \leq 43 dB (A).

Minimum suction pressure: 0,05 bar at 50 °C

Maximum permissible working pressure 10 bar.

Motor

2-pole induction motor, 50 Hz.

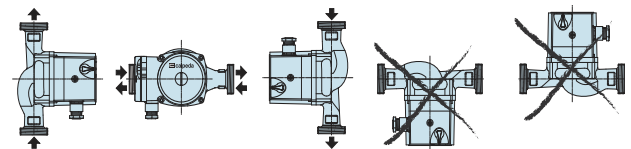
Three adjustable speeds.

NCS3: single-phase 230 V.

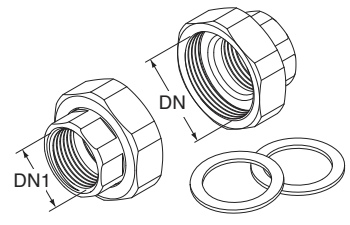
Insulation class H.

Protection IP 44.

Installation



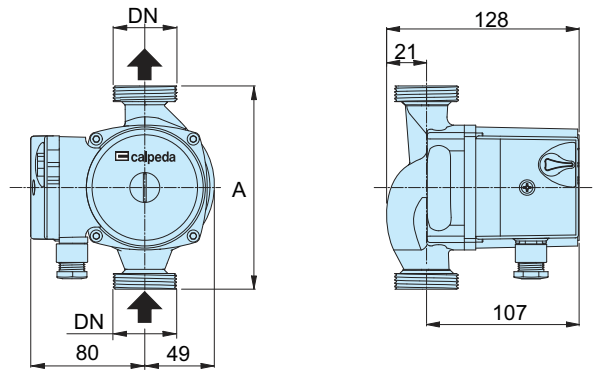
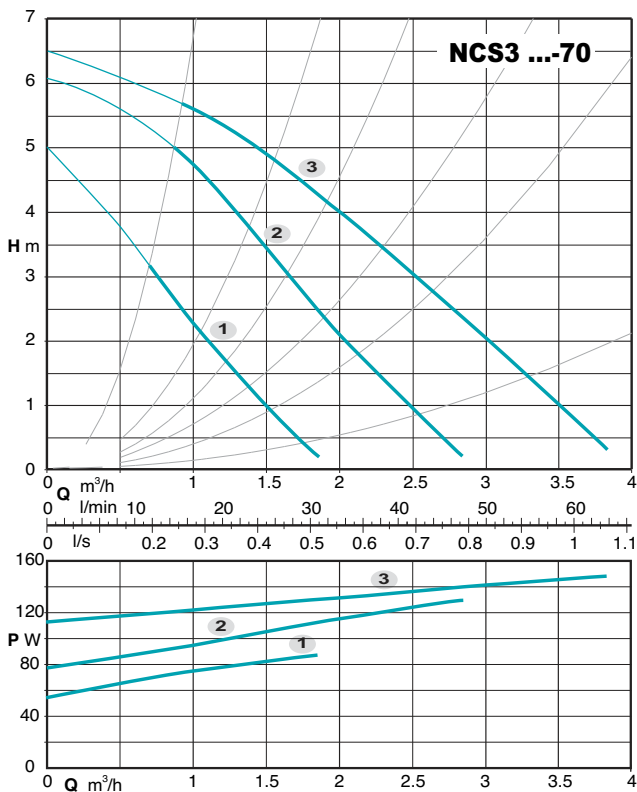
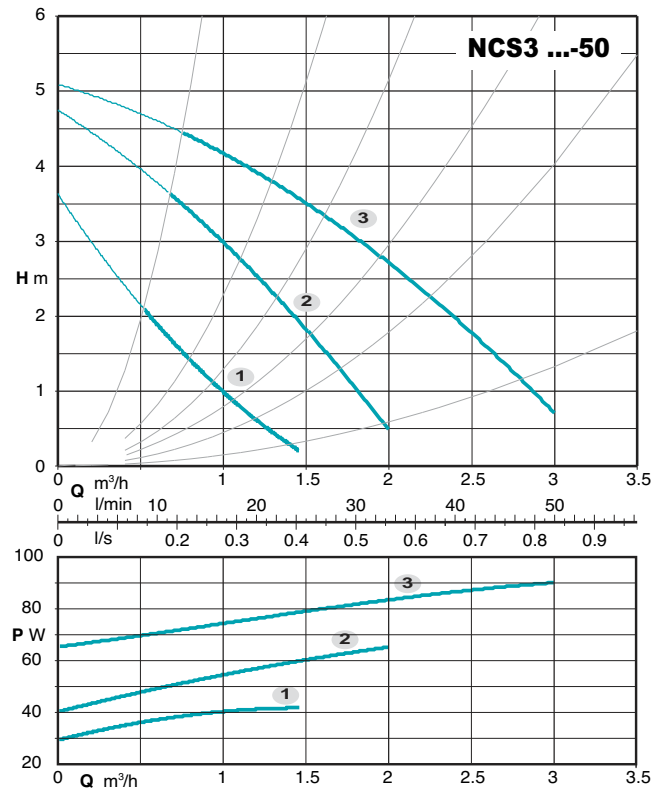
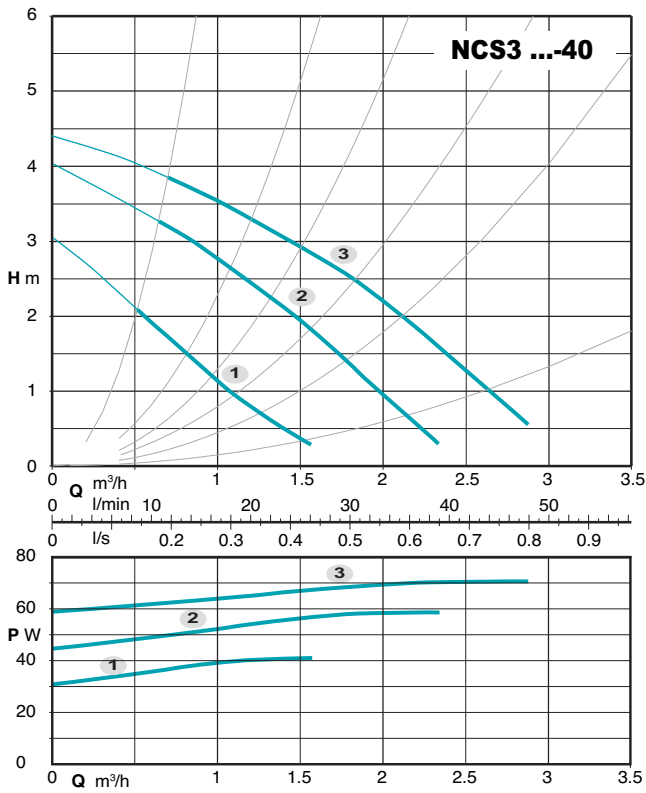
Unions

		
TYPE	DN	DN1
KIT G 1 1/4 - G 3/4 (NCS3 20..)	G 1 1/4	G 3/4

Désignation

Série	NCS3
DN des orifices en mm	20
Hauteur maxi dm	40
Entraxe pour installation mm	130

Characteristic curves, dimensions and weights



TYPE	DN	Pos.	P1 (W)	1x 230 V [A]	A mm	[kg]
NCS3 20-40/130	G 1 1/4	3	70	0,30	130	2,3
		2	59	0,26		
		1	41	0,18		
NCS3 20-50/130	G 1 1/4	3	91	0,38	130	2,5
		2	65	0,28		
		1	42	0,18		
NCS3 20-70/130	G 1 1/4	3	148	0,66	130	3,8
		2	128	0,59		
		1	87	0,41		